

July 2012

For the most current product/pricing information on Anvil products, please visit our website at www.anvilintl.com.



Steel Pipe Nipples & Malleable Fittings

BUILDING CONNECTIONS THAT LAST



Anvil's Unmatched Piping Products for Every Industry

Anvil provides the most comprehensive line of innovative, durable, and reliable pipe connections, support systems, and customer service.

For more than 150 years, Anvil has provided integrated, reliable piping solutions for a variety of applications. With the most complete line of piping products, expert design services, and a responsive customer service team, Anvil's total package is unmatched throughout the industry. Our professionals will work with you to develop innovative solutions that meet your demands and exceed your expectations.

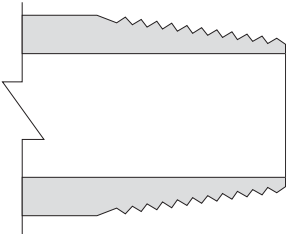

From HVAC, plumbing and mechanical to fire protection, mining, oil and gas, and gas utilities, Anvil covers all markets. Our extensive product line includes grooved couplings, fittings, and valves; cast and malleable pipe fittings; forged steel fittings and unions; steel pipe nipples and couplings; pipe hangers and supports; strut and channel; oil country fittings; and valves. Our exceptional market-specific expertise ensures you always get the best solution for your unique application.

In addition to Anvil's extensive line of domestically manufacture products, Anvil also offers a full line of Globally manufactured malleable iron fittings and steel pipe nipples. These products are manufactured within ISO 9001:2000 facilities where Anvil's quality control engineers oversee the entire process. Anvil is committed to providing the finest quality pipe fittings available, which we believe only a true manufacturer can provide. Engineered drawings of fittings and nipples along with detailed inspection procedures, leave no questions regarding Anvil's commitment to quality imported products.

With 150 years of manufacturing expertise, Anvil is in a unique position to set the highest quality standard for both domestic and import products. Anvil's specifications for SPF malleable fittings and pipe nipples are higher than typical ANSI specification. The SPF malleable fittings are UL Listed and FM Approved.

Standard Welded

Anvil International is the only manufacturer where you can combine your import and U.S. Manufactured product requirements.

STANDARDS & SPECIFICATIONS		SPF Imported Steel Pipe Nipples (Standard Welded)	
Dimensional:	ASTM A733	<p>Standard End Finish Tapered Pipe Thread (NPT)</p> 	
Material:	ASTM A53 Type F or Type E		
Galvanizing:	Hot Dip Galvanizing*		
Threading:**	ASME B 1.20.1		

*Galvanized nipples are manufactured from pipe coated on the inside and outside by hot dip process.

**British Standard threading per BS 21 available upon request.

- Ends are cut square to the central axis. All burrs on the inside are removed. The ends of the pipe nipples are chamfered on the outside at an angle of 35° +/- 10° to the central axis.
- Pipe nipples are threaded on both ends with standard NPT tapered threads. Threads are right hand on both ends.

Also available:

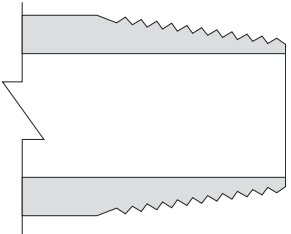

- Ready Cut Pipe, Standard - Schd. 40 (black and galvanized)
Pipe Size: 1/2", 3/4", 1", 1 1/4", 1 1/2", 2"
Pipe Length: 8", 24", 30", 48", 60", 72"
- "66" Packs, Standard - Schd. 40 (black and galvanized)
Nipple Size: 1/2", 3/4", 1", 1 1/4", 1 1/2", 2"
- Single Run Nipple Packs (black and galvanized)
Pipe Size: 1/2", 3/4", 1, 1 1/4", 1 1/2", 2"

Pipe Size (in.)	Pipe O.D. (in.)	Length Close (in.)	Pipe Nipple Lengths (Black and galvanized)															
			1 1/2	2	2 1/2	3	3 1/2	4	4 1/2	5	5 1/2	6	7	8	9	10	11	12
1/8	.405	3/4	1 1/2	2	2 1/2	3	3 1/2	4	4 1/2	5	5 1/2	6	7	8	9	10	11	12
1/4	.540	7/8	1 1/2	2	2 1/2	3	3 1/2	4	4 1/2	5	5 1/2	6	7	8	9	10	11	12
3/8	.675	1	1 1/2	2	2 1/2	3	3 1/2	4	4 1/2	5	5 1/2	6	7	8	9	10	11	12
1/2	.840	1 1/8	1 1/2	2	2 1/2	3	3 1/2	4	4 1/2	5	5 1/2	6	7	8	9	10	11	12
3/4	1.050	1 3/8	1 1/2	2	2 1/2	3	3 1/2	4	4 1/2	5	5 1/2	6	7	8	9	10	11	12
1	1.315	1 1/2		2	2 1/2	3	3 1/2	4	4 1/2	5	5 1/2	6	7	8	9	10	11	12
1 1/4	1.660	1 5/8		2	2 1/2	3	3 1/2	4	4 1/2	5	5 1/2	6	7	8	9	10	11	12
1 1/2	1.900	1 3/4		2	2 1/2	3	3 1/2	4	4 1/2	5	5 1/2	6	7	8	9	10	11	12
2	2.375	2			2 1/2	3	3 1/2	4	4 1/2	5	5 1/2	6	7	8	9	10	11	12
2 1/2	2.875	2 1/2				3	3 1/2	4	4 1/2	5	5 1/2	6	7	8	9	10	11	12
3	3.500	2 5/8				3	3 1/2	4	4 1/2	5	5 1/2	6	7	8	9	10	11	12
4	4.500	2 7/8						4	4 1/2	5	5 1/2	6	7	8	9	10	11	12
6	6.625	3 1/8						4	4 1/2	5	5 1/2	6	7	8	9	10	11	12

SPF STEEL PIPE NIPPLES

Extra Heavy – SCH. 80 Welded

Anvil International is the only manufacturer where you can combine your import and U.S. Manufactured product requirements.

STANDARDS & SPECIFICATIONS			
Steel Pipe Nipples (Extra Heavy Welded)			
Dimensional:	ASTM A733	<p>Standard End Finish Tapered Pipe Thread (NPT)</p> 	
Material:	ASTM A53 Type F or Type E		
Galvanizing:	Hot Dip Galvanizing*		
Threading:	ASME B 1.20.1		

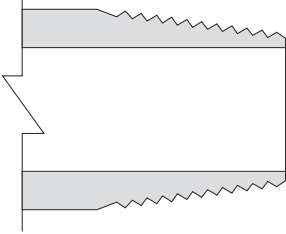

*Galvanized nipples are manufactured from pipe coated on the inside and outside by hot dip process.

- Ends are cut square to the central axis. All burrs on the inside are removed. The ends of the pipe nipples are chamfered on the outside at an angle of 35° +/- 10° to the central axis.
- Pipe nipples are threaded on both ends with standard NPT tapered threads. Threads are right hand on both ends.

Pipe Size (in.)	Pipe O.D. (in.)	Length Close (in.)	Pipe Nipple Lengths (Black and galvanized)															
			1 1/2	2	2 1/2	3	3 1/2	4	4 1/2	5	5 1/2	6	7	8	9	10	11	12
1/8	.405	3/4																
1/4	.540	7/8																
3/8	.675	1																
1/2	.840	1 1/8																
3/4	1.050	1 3/8																
1	1.315	1 1/2																
1 1/4	1.660	1 5/8																
1 1/2	1.900	1 3/4																
2	2.375	2																
2 1/2	2.875	2 1/2																
3	3.500	2 5/8																
3 1/2	4.000	2 3/4																
4	4.500	2 7/8																
5	5.563	3																
6	6.625	3 1/8																

Extra Heavy Seamless

Anvil International is the only manufacturer where you can combine your import and U.S. Manufactured product requirements.

STANDARDS & SPECIFICATIONS		Steel Pipe Nipples (Seamless Extra Heavy – Sch. 80))	
Dimensional:	ASTM A733	<p>Standard End Finish Tapered Pipe Thread (NPT)</p> 	
Material:	ASTM A106 Grade B		
Galvanizing:	Hot Dip Galvanizing*		
Threading:	ASME B 1.20.1		

*Galvanized nipples are manufactured from pipe coated on the inside and outside by hot dip process.

- Ends are cut square to the central axis. All burrs on the inside are removed. The ends of the pipe nipples are chamfered on the outside at an angle of 35° +/- 10° to the central axis.
- Pipe nipples are threaded on both ends with standard NPT tapered threads. Threads are right hand on both ends.

Pipe Size (in.)	Pipe O.D. (in.)	Length Close (in.)	Pipe Nipple Lengths (Black and galvanized)															
			1 1/2	2	2 1/2	3	3 1/2	4	4 1/2	5	5 1/2	6	7	8	9	10	11	12
1/8	.405	3/4	1 1/2	2	2 1/2	3	3 1/2	4	4 1/2	5	5 1/2	6	7	8	9	10	11	12
1/4	.540	7/8	1 1/2	2	2 1/2	3	3 1/2	4	4 1/2	5	5 1/2	6	7	8	9	10	11	12
3/8	.675	1	1 1/2	2	2 1/2	3	3 1/2	4	4 1/2	5	5 1/2	6	7	8	9	10	11	12
1/2	.840	1 1/8	1 1/2	2	2 1/2	3	3 1/2	4	4 1/2	5	5 1/2	6	7	8	9	10	11	12
3/4	1.050	1 3/8	1 1/2	2	2 1/2	3	3 1/2	4	4 1/2	5	5 1/2	6	7	8	9	10	11	12
1	1.315	1 1/2		2	2 1/2	3	3 1/2	4	4 1/2	5	5 1/2	6	7	8	9	10	11	12
1 1/4	1.660	1 5/8		2	2 1/2	3	3 1/2	4	4 1/2	5	5 1/2	6	7	8	9	10	11	12
1 1/2	1.900	1 3/4		2	2 1/2	3	3 1/2	4	4 1/2	5	5 1/2	6	7	8	9	10	11	12
2	2.375	2			2 1/2	3	3 1/2	4	4 1/2	5	5 1/2	6	7	8	9	10	11	12
2 1/2	2.875	2 1/2				3	3 1/2	4	4 1/2	5	5 1/2	6	7	8	9	10	11	12
3	3.500	2 5/8				3	3 1/2	4	4 1/2	5	5 1/2	6	7	8	9	10	11	12
4	4.500	2 7/8						4	4 1/2	5	5 1/2	6	7	8	9	10	11	12
5	5.563	3							4 1/2	5	5 1/2	6	7	8	9	10	11	12
6	6.625	3 1/8							4 1/2	5	5 1/2	6	7	8	9	10	11	12

SPF MALLEABLE IRON FITTINGS


Class 150 (Standard)

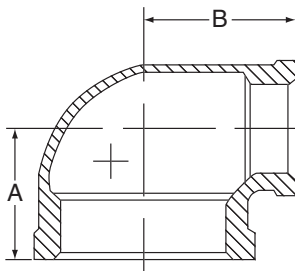
STANDARDS & SPECIFICATIONS

Import Malleable Iron Screwed Fittings (Class 150)

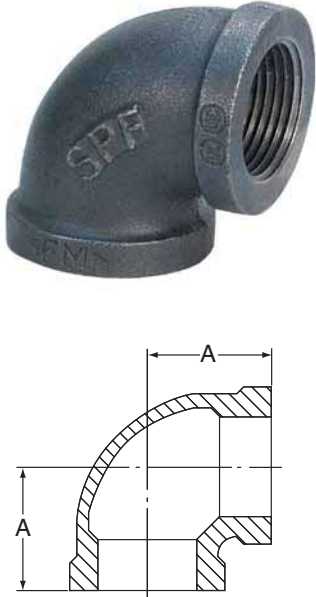
Dimensional:	Fittings:	ASME B16.3	
	Unions:	ASME B 16.39	
	Bushings/Plugs:	ASME B 16.14	
Material:	ASTM A-197		
Galvanizing:	ASTM A-153	(Hot Dip Galvanizing)	
Threading:*	ASME B 1.20.1		
Pressure Rating:	Fittings:	ASME B 16.3	
	Unions:	ASME B 16.39	
	Bushings/Plugs:	ASME B 16.14	
Pressure Testing:	All malleable iron fittings are tested for through wall porosity using an air under water process.		
Agency Approvals:	All malleable iron fittings and unions are UL Listed and FM Approved.		


*British Standard threading per BS 21 available upon request.

90° REDUCING ELBOW	Size	A	B	Weight
	in	in	in	lbs
	1/4 x 1/8	0.74	0.76	0.08
	3/8 x 1/8	0.81	0.85	0.11
	3/8 x 1/4	0.88	0.90	0.13
	1/2 x 1/4	0.97	0.98	0.16
	1/2 x 3/8	1.04	1.03	0.19
	3/4 x 3/8	1.12	1.13	0.26
	3/4 x 1/2	1.20	1.22	0.29
	1 x 3/8	1.18	1.26	0.35
	1 x 1/2	1.26	1.36	0.42
	1 x 3/4	1.37	1.45	0.47
	1 1/4 x 1/2	1.34	1.53	0.54
	1 1/4 x 3/4	1.45	1.62	0.62
	1 1/4 x 1	1.58	1.67	0.73
	1 1/2 x 1/2	1.38	1.65	0.65
	1 1/2 x 3/4	1.52	1.75	0.74
	1 1/2 x 1	1.65	1.80	0.88
	1 1/2 x 1 1/4	1.82	1.88	1.03
	2 x 1/2	1.50	1.89	0.93
	2 x 3/4	1.60	1.97	1.04
	2 x 1	1.73	2.02	1.28
	2 x 1 1/4	1.90	2.10	1.36
	2 x 1 1/2	2.02	2.16	1.51
	2 1/2 x 1 1/2	2.16	2.51	2.20
	2 1/2 x 2	2.39	2.60	2.55
	3 x 2	2.52	2.89	3.35
	3 x 2 1/2	2.83	2.99	4.12
	4 x 2	2.72	3.43	5.01
	4 x 3	3.30	3.60	6.65



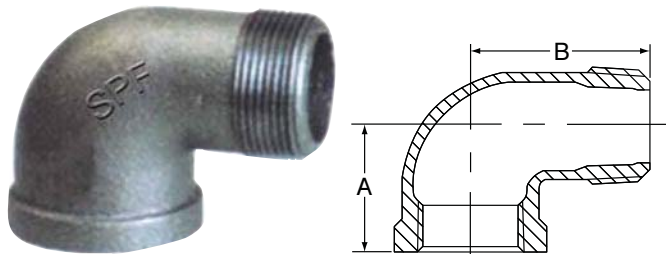
Class 150 (Standard)

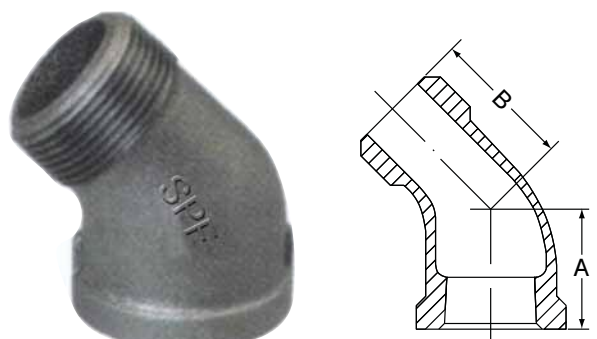
90° ELBOW	Size	A	Weight
	<i>in</i>	<i>in</i>	<i>lbs</i>
	1/8	0.69	0.06
	1/4	0.81	0.10
	3/8	0.95	0.15
	1/2	1.12	0.22
	3/4	1.31	0.36
	1	1.50	0.57
	1 1/4	1.75	0.87
	1 1/2	1.94	1.16
	2	2.25	1.81
	2 1/2	2.70	3.23
	3	3.08	4.82
	4	3.79	8.41
6	5.13	19.96	

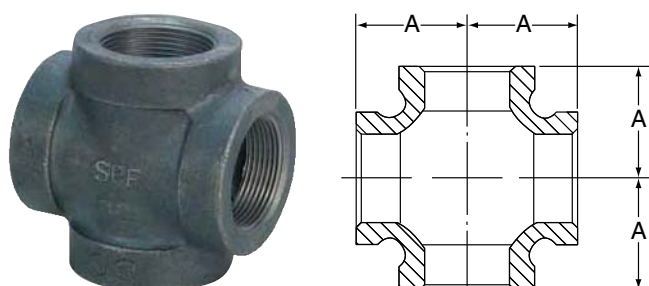
45° ELBOW	Size	A	Weight
	<i>in</i>	<i>in</i>	<i>lbs</i>
	1/8	0.63	0.06
	1/4	0.73	0.11
	3/8	0.80	0.14
	1/2	0.88	0.20
	3/4	0.98	0.32
	1	1.12	0.50
	1 1/4	1.29	0.76
	1 1/2	1.43	1.00
	2	1.68	1.61
	2 1/2	1.95	2.77
	3	2.17	4.03
	4	2.61	6.92
6	3.46	16.31	

SPF MALLEABLE IRON FITTINGS


Class 150 (Standard)

90° STREET ELBOW		Size	A	B	Weight
		<i>in</i>	<i>in</i>	<i>in</i>	<i>lbs</i>
	1/8	0.69	1.00	0.05	
	1/4	0.81	1.19	0.09	
	3/8	0.95	1.44	0.15	
	1/2	1.12	1.63	0.20	
	3/4	1.31	1.89	0.34	
	1	1.50	2.14	0.58	
	1 1/4	1.75	2.45	0.84	
	1 1/2	1.94	2.69	1.12	
	2	2.25	3.26	1.85	
	2 1/2	2.70	3.86	3.28	
	3	3.08	4.51	5.00	
	4	3.79	5.69	9.18	

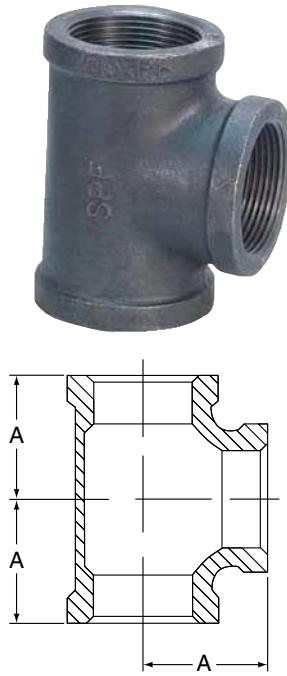
45° STREET ELBOW		Size	A	B	Weight
		<i>in</i>	<i>in</i>	<i>in</i>	<i>lbs</i>
	1/8	0.63	0.83	0.05	
	1/4	0.73	0.94	0.08	
	3/8	0.80	1.03	0.12	
	1/2	0.88	1.15	0.18	
	3/4	0.98	1.29	0.27	
	1	1.12	1.47	0.44	
	1 1/4	1.29	1.71	0.70	
	1 1/2	1.43	1.88	0.92	
	2	1.68	2.22	1.50	

CROSS		Size	A	Weight
		<i>in</i>	<i>in</i>	<i>lbs</i>
	1/4	0.81	0.17	
	3/8	0.95	0.26	
	1/2	1.12	0.38	
	3/4	1.31	0.61	
	1	1.50	0.95	
	1 1/4	1.75	1.42	
	1 1/2	1.94	1.86	
	2	2.25	2.83	

Class 150 (Standard)


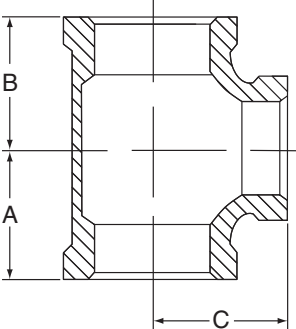
CAP	Size	A	Weight
	<i>in</i>	<i>in</i>	<i>lbs</i>
	1/8 ▲	0.53	0.03
	1/4 ▲	0.63	0.05
	3/8 ▲	0.74	0.07
	1/2	0.87	0.11
	3/4	0.97	0.18
	1	1.16	0.30
	1 1/4	1.28	0.44
	1 1/2	1.33	0.55
	2	1.45	0.85
	2 1/2	1.70	1.49
	3	1.80	2.20
	3 1/2	1.90	3.02
	4	2.08	3.79
6	2.55	8.77	

▲ Supplied in Steel only (Black and Galvanized).

TEE	Size	A	Weight
	<i>in</i>	<i>in</i>	<i>lbs</i>
	1/8	0.69	0.09
	1/4	0.81	0.14
	3/8	0.95	0.21
	1/2	1.12	0.31
	3/4	1.31	0.50
	1	1.50	0.79
	1 1/4	1.75	1.19
	1 1/2	1.94	1.57
	2	2.25	2.43
	2 1/2	2.70	4.33
	3	3.08	6.37
	4	3.79	11.03
	6	5.13	25.98

SPF MALLEABLE IRON FITTINGS


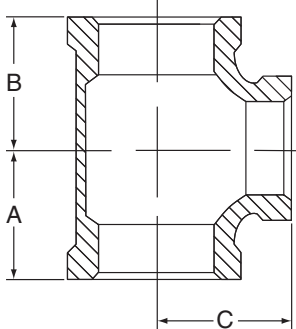
Class 150 (Standard)

REDUCING TEE	Size			A	B	C	Weight	
	in			in	in	in	lbs	
 	1/2	1/2	1/4	0.97	0.97	0.98	0.24	
			3/8	1.04	1.04	1.03	0.27	
			3/4	1.22	1.22	1.20	0.37	
			1	1.36	1.36	1.26	0.49	
	3/4	1/2	1/2	1.20	1.12	1.22	0.38	
			3/4	1.31	1.22	1.31	0.45	
		3/4	1/4	1.05	1.05	1.08	0.36	
			3/8	1.12	1.12	1.13	0.39	
			1/2	1.20	1.20	1.22	0.43	
			1	1.45	1.45	1.37	0.62	
		1	1/4	1	1.50	1.18	1.50	0.63
				1/2	1.26	1.12	1.36	0.48
	1/2		3/4	1.37	1.22	1.45	0.56	
			1	1.50	1.36	1.50	0.67	
	3/4		1/2	1.26	1.20	1.36	0.53	
			3/4	1.37	1.31	1.45	0.61	
			1	1.50	1.45	1.50	0.71	
			3/8	1.18	1.18	1.27	0.57	
	1		1	1/2	1.26	1.26	1.36	0.62
				3/4	1.37	1.37	1.45	0.69
				1 1/4	1.67	1.67	1.58	0.94
			1 1/2	1 1/2	1.80	1.80	1.65	1.07
		2		2.02	2.02	1.73	1.45	
		2 1/2		2.24	2.24	1.81	1.83	
	1 1/4	1/2	1	1.58	1.36	1.67	0.82	
			1 1/4	1.75	1.53	1.75	0.95	
		3/4	3/4	1.45	1.31	1.62	0.75	
			1	1.58	1.45	1.67	0.87	
			1 1/4	1.75	1.62	1.75	1.00	
			1 3/4	1.92	1.79	1.82	1.13	
		1	1/2	1.34	1.26	1.53	0.74	
			3/4	1.45	1.37	1.62	0.82	
1			1.58	1.50	1.67	0.94		
1 1/4			1.75	1.67	1.75	1.08		
1 1/4		3/8	3/8	1.26	1.26	1.44	0.78	
			1/2	1.34	1.34	1.53	0.84	
	3/4	3/4	1.45	1.45	1.62	0.92		
		1	1.58	1.58	1.67	1.04		
	1 1/2	1 1/2	1.88	1.88	1.82	1.34		
		2	2.10	2.10	1.90	1.65		

**CONTINUED
ON NEXT PAGE.**


SPF MALLEABLE IRON FITTINGS

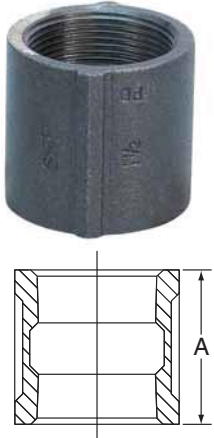
Class 150 (Standard)

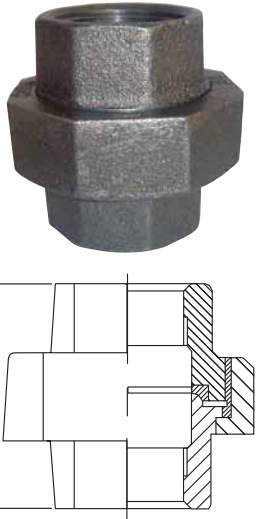
REDUCING TEE		Size		A	B	C	Weight
		in		in	in	in	lbs
 	1 1/2	1/2	1 1/2	1.94	1.66	1.94	1.24
		3/4	3/4	1.50	1.26	1.69	0.86
			1 1/2	1.94	1.75	1.94	1.29
		1	1	1.65	1.50	1.80	1.08
			1 1/4	1.82	1.67	1.88	1.23
			1 1/2	1.94	1.80	1.94	1.35
		1 1/4	3/4	1.52	1.45	1.75	1.04
			1	1.65	1.58	1.80	1.17
			1 1/4	1.82	1.75	1.88	1.32
			1 1/2	1.94	1.88	1.94	1.45
			2	2.10	2.10	1.90	1.82
		1 1/2	1/2	1.41	1.41	1.66	1.04
			3/4	1.52	1.52	1.75	1.14
			1	1.65	1.65	1.80	1.27
			1 1/4	1.82	1.82	1.88	1.43
			2	2.16	2.16	2.02	1.89
	2	1/2	2	2.25	1.88	2.25	1.89
		3/4	2	2.25	1.97	2.25	1.93
		1	1	1.81	1.75	1.87	1.39
			2	2.25	2.02	2.25	2.00
		1 1/4	1 1/4	1.90	1.75	2.10	1.64
			1 1/2	2.02	1.88	2.16	1.80
			2	2.25	2.10	2.25	2.09
		1 1/2	1	1.73	1.65	2.02	1.57
			1 1/4	1.90	1.82	2.10	1.71
			1 1/2	2.02	1.94	2.16	1.88
			2	2.25	2.16	2.25	2.21
		2	1/2	1.49	1.49	1.88	1.53
			3/4	1.60	1.60	1.97	1.63
			1	1.73	1.73	2.02	1.78
			1 1/4	1.90	1.90	2.10	1.97
			1 1/2	2.02	2.02	2.16	2.12
	2 1/2		2.60	2.60	2.39	3.15	
	2 1/2	2 1/2	3/4	1.74	1.74	2.32	2.67
			1	1.87	1.87	2.37	2.84
			1 1/4	2.04	2.04	2.45	3.09
			1 1/2	2.16	2.16	2.51	3.29
			2	2.39	2.39	2.60	3.65
	3	2	2	2.52	2.25	2.89	3.88
			3/4	1.87	1.87	2.61	3.72
3		1	2.00	2.00	2.66	3.96	
		1 1/4	2.17	2.17	2.74	4.23	
		1 1/2	2.29	2.29	2.80	4.45	
		2	2.52	2.52	2.89	4.90	
		2 1/2	2.83	2.83	2.99	5.69	
4	4	2	2.74	2.74	3.41	7.52	
		2 1/2	3.05	3.05	3.51	8.51	
		3	3.30	3.30	3.60	9.25	

SPF MALLEABLE IRON FITTINGS

Class 150 (Standard)


FLOOR FLANGE	Size	Dia. Flange	Dia. of Bolt Circle	Dia. of Bolt Holes	Weight
	<i>in</i>	<i>in</i>	<i>in</i>	<i>in</i>	<i>lbs</i>
	¾	3.37	2.36	.28	0.49
	1	3.78	2.80	.28	0.63
	1 ¼	4.19	3.17	.28	0.87
	1 ½	4.59	3.50	.31	1.10
	2	5.18	4.01	.31	1.57


COUPLING	Size	A	Weight
	<i>in</i>	<i>in</i>	<i>lbs</i>
	⅛	0.96	0.05
	¼	1.06	0.08
	⅜	1.16	0.12
	½	1.34	0.17
	¾	1.52	0.27
	1	1.67	0.43
	1 ¼	1.93	0.65
	1 ½	2.15	0.86
	2	2.53	1.35
	2 ½	2.88	2.33
	3	3.18	3.36
	4	3.69	5.59

UNIONS (BRASS SEAT)	Size	A	Weight
	<i>in</i>	<i>in</i>	<i>lbs</i>
	⅛	1.26	0.16
	¼	1.46	0.23
	⅜	1.61	0.33
	½	1.73	0.41
	¾	1.95	0.60
	1	2.07	0.89
	1 ¼	2.26	1.25
	1 ½	2.42	1.76
	2	2.75	2.44
	2 ½	3.23	3.52
	3	3.50	4.34

SPF MALLEABLE IRON FITTINGS


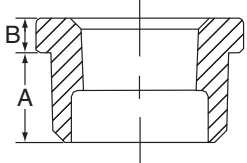
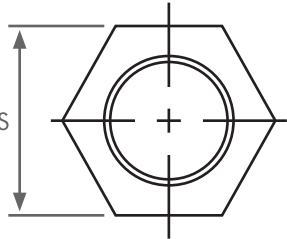
Class 150 (Standard)

REDUCING COUPLINGS	Size	A	Weight
	<i>in</i>	<i>in</i>	<i>lbs</i>
	1/4 x 1/8	1.00	0.07
	3/8 x 1/8	1.13	0.09
	3/8 x 1/4	1.13	0.10
	1/2 x 1/8	1.25	0.13
	1/2 x 1/4	1.25	0.13
	1/2 x 3/8	1.25	0.14
	3/4 x 1/8	1.44	0.18
	3/4 x 1/4	1.44	0.20
	3/4 x 3/8	1.44	0.21
	3/4 x 1/2	1.44	0.22
	1 x 1/2	1.69	0.34
	1 x 3/4	1.69	0.36
	1 1/4 x 1/2	2.06	0.47
	1 1/4 x 3/4	2.06	0.51
	1 1/4 x 1	2.06	0.57
	1 1/2 x 1/2	2.31	0.62
	1 1/2 x 3/4	2.31	0.66
	1 1/2 x 1	2.31	0.73
	1 1/2 x 1 1/4	2.31	0.80
	2 x 1/2	2.81	0.94
	2 x 3/4	2.81	0.99
	2 x 1	2.81	1.03
	2 x 1 1/4	2.81	1.17
	2 x 1 1/2	2.81	1.25
	2 1/2 x 1 1/4	3.25	1.81
	2 1/2 x 1 1/2	3.25	1.90
	2 1/2 x 2	3.25	2.04
	3 x 1	3.69	2.48
	3 x 1 1/4	3.69	2.55
	3 x 1 1/2	3.69	2.67
	3 x 2	3.69	2.78
	3 x 2 1/2	3.69	3.23
	4 x 2	4.38	4.43
	4 x 2 1/2	4.38	4.87
	4 x 3	4.38	5.29

PLUGS		Size	A	B	C	Weight
		<i>in</i>	<i>in</i>	<i>in</i>	<i>in</i>	<i>lbs</i>
	Solid	1/4	0.44	0.28	0.38	0.04
	Solid	3/8	0.48	0.31	0.44	0.06
	Cored	1/2	0.56	0.38	0.56	0.08
	Cored	3/4	0.63	0.44	0.63	0.13
	Cored	1	0.75	0.50	0.81	0.20
	Cored	1 1/4	0.80	0.56	0.94	0.32
	Cored	1 1/2	0.83	0.62	1.13	0.43
	Cored	2	0.88	0.68	1.31	0.67
	Cored	2 1/2	1.07	0.74	1.50	1.11
	Cored	3	1.13	0.80	1.69	1.53
	Bar Plug	4	1.22	1.00	–	2.71
	Bar Plug	6	1.40	1.25	–	4.00

SPF MALLEABLE IRON FITTINGS

Class 150 (Standard)


HEX BUSHING	Size	A	B	S	Weight	Hex
	<i>in</i>	<i>in</i>	<i>in</i>	<i>in</i>	<i>lbs</i>	
  	$\frac{3}{4} \times \frac{1}{2}$	0.63	0.22	1.15	0.11	outside
	$1 \times \frac{1}{8}$	0.75	0.30	1.12	0.18	inside
	$1 \times \frac{1}{4}$	0.75	0.30	1.12	0.21	inside
	$1 \times \frac{3}{8}$	0.75	0.30	1.12	0.20	inside
	$1 \times \frac{1}{2}$	0.75	0.25	1.42	0.22	outside
	$1 \times \frac{3}{4}$	0.75	0.25	1.42	0.18	outside
	$1 \frac{1}{4} \times \frac{1}{4}$	0.80	0.34	1.12	0.30	inside
	$1 \frac{1}{4} \times \frac{3}{8}$	0.80	0.34	1.12	0.28	inside
	$1 \frac{1}{4} \times \frac{1}{2}$	0.80	0.34	1.34	0.32	inside
	$1 \frac{1}{4} \times \frac{3}{4}$	0.80	0.28	1.76	0.37	outside
	$1 \frac{1}{4} \times 1$	0.80	0.28	1.76	0.30	outside
	$1 \frac{1}{2} \times \frac{1}{4}$	0.83	0.37	1.12	0.38	inside
	$1 \frac{1}{2} \times \frac{3}{8}$	0.83	0.37	1.12	0.38	inside
	$1 \frac{1}{2} \times \frac{1}{2}$	0.83	0.37	1.34	0.40	inside
	$1 \frac{1}{2} \times \frac{3}{4}$	0.83	0.37	1.63	0.45	inside
	$1 \frac{1}{2} \times 1$	0.83	0.31	2.00	0.46	outside
	$1 \frac{1}{2} \times 1 \frac{1}{4}$	0.83	0.31	2.00	0.31	outside
	$2 \times \frac{1}{4}$	0.88	0.41	1.12	0.54	inside
	$2 \times \frac{1}{2}$	0.88	0.41	1.34	0.56	inside
	$2 \times \frac{3}{4}$	0.88	0.41	1.63	0.61	inside
	2×1	0.88	0.41	1.95	0.65	inside
	$2 \times 1 \frac{1}{4}$	0.88	0.34	2.48	0.80	outside
	$2 \times 1 \frac{1}{2}$	0.88	0.34	2.48	0.66	outside
	$2 \frac{1}{2} \times \frac{3}{4}$	1.07	0.44	1.63	0.98	inside
	$2 \frac{1}{2} \times 1$	1.07	0.44	1.95	1.04	inside
	$2 \frac{1}{2} \times 1 \frac{1}{4}$	1.07	0.44	2.39	1.10	inside
	$2 \frac{1}{2} \times 1 \frac{1}{2}$	1.07	0.44	2.68	1.38	outside
	$2 \frac{1}{2} \times 2$	1.07	0.37	2.98	0.97	outside
	3×1	1.13	0.48	1.95	1.48	inside
	$3 \times 1 \frac{1}{4}$	1.13	0.48	2.39	1.57	inside
	$3 \times 1 \frac{1}{2}$	1.13	0.48	2.68	1.62	inside
	3×2	1.13	0.48	3.28	2.10	outside
	$3 \times 2 \frac{1}{2}$	1.13	0.40	3.86	1.84	outside
$3 \frac{1}{2} \times 3$	1.18	0.43	4.62	2.10	outside	
$4 \times \frac{3}{4}$	1.22	0.67	1.63	2.48	inside	
4×1	1.22	0.60	1.95	2.60	inside	
$4 \times 1 \frac{1}{4}$	1.22	0.60	2.39	2.74	inside	
$4 \times 1 \frac{1}{2}$	1.22	0.60	2.68	2.81	inside	
4×2	1.22	0.60	3.28	2.91	inside	
$4 \times 2 \frac{1}{2}$	1.22	0.60	3.86	2.98	inside	
4×3	1.22	0.50	4.62	2.93	outside	

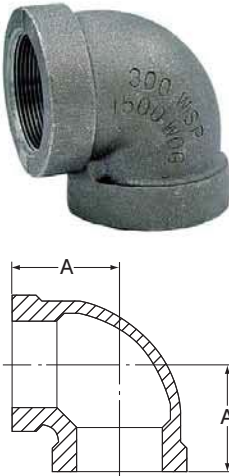
SPF MALLEABLE IRON FITTINGS

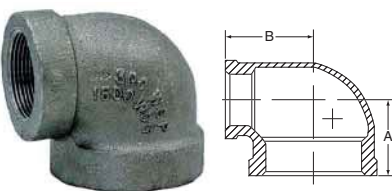
Class 300 (Extra Heavy)

STANDARDS & SPECIFICATIONS

Malleable Iron Screwed Fittings (Class 300)

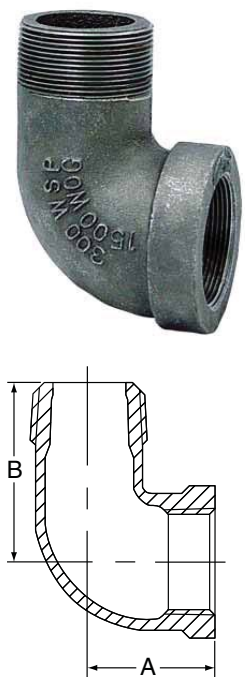
Dimensional:	Fittings:	ASME B16.3	
	Unions:	ASME B 16.39	
	Bushings/Plugs:	ASME B 16.14	
Material:	ASTM A-197		
Galvanizing:	ASTM A-153	(Hot Dip Galvanizing)	
Threading:	ASME B 1.20.1		
Pressure Rating:	Fittings:	ASME B 16.3	
	Unions:	ASME B 16.39	
	Bushings/Plugs:	ASME B 16.14	
Pressure Testing:	All malleable iron fittings are tested for through wall porosity using an air under water process.		
Agency Approvals:	All malleable iron fittings and unions are UL Listed and FM Approved.		

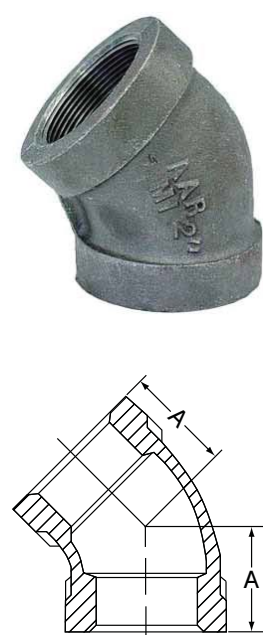
90° ELBOW 	Size	A	Weight
	<i>in</i>	<i>in</i>	<i>lbs</i>
	1/4	0.94	0.20
	3/8	1.06	0.29
	1/2	1.25	0.47
	3/4	1.44	0.66
	1	1.63	1.20
	1 1/4	1.94	1.90
	1 1/2	2.13	2.50
	2	2.50	4.20
	2 1/2	2.94	5.30
	3	3.38	9.70
	4	4.50	16.00

90° REDUCING ELBOW 	Size	A	B	Weight
	<i>in</i>	<i>in</i>	<i>in</i>	<i>lbs</i>
	1/2 x 3/8	1.19	1.19	0.41
	1 x 3/4	1.50	1.56	1.00


SPF MALLEABLE IRON FITTINGS

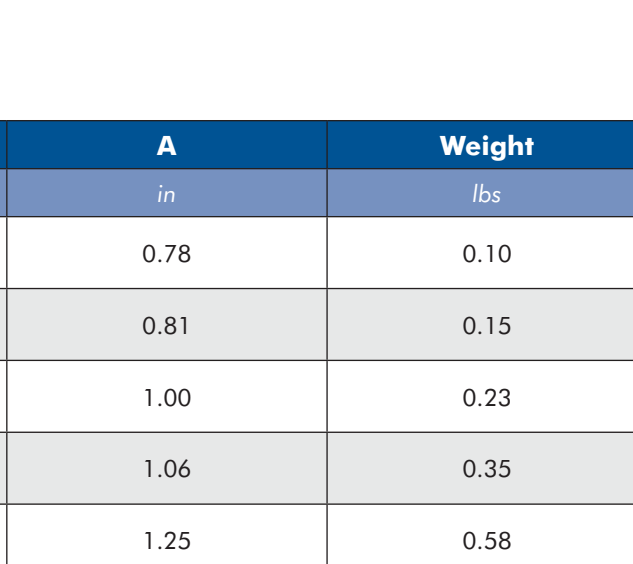
Class 300 (Extra Heavy)

90° STREET ELBOW	Size	A	B	Weight
	<i>in</i>	<i>in</i>	<i>in</i>	<i>lbs</i>
	1/4	0.94	1.44	0.17
	3/8	1.06	1.63	0.26
	1/2	1.25	2.00	0.40
	3/4	1.44	2.19	0.68
	1	1.63	2.56	1.10
	1 1/4	1.94	2.88	1.60
	1 1/2	2.13	3.13	2.20
	2	2.50	3.69	3.60
	3	3.38	5.13	9.60

45° ELBOW	Size	A	Weight
	<i>in</i>	<i>in</i>	<i>lbs</i>
	1/4	0.81	0.19
	3/8	0.88	0.28
	1/2	1.00	0.43
	3/4	1.13	0.66
	1	1.31	1.00
	1 1/4	1.50	1.70
	1 1/2	1.69	2.10
	2	2.00	3.40
	2 1/2	2.25	5.50
	3	2.50	8.10
4	2.81	13.00	


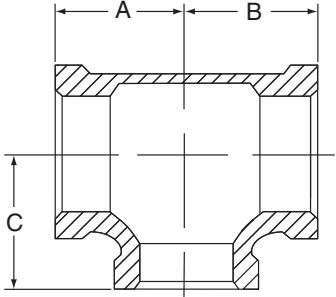
Class 300 (Extra Heavy)


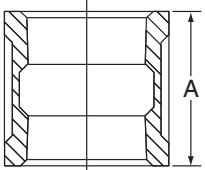
CAP	Size	A	Weight
	<i>in</i>	<i>in</i>	<i>lbs</i>
	1/4	0.78	0.10
	3/8	0.81	0.15
	1/2	1.00	0.23
	3/4	1.06	0.35
	1	1.25	0.58
	1 1/4	1.38	0.94
	1 1/2	1.44	1.20
	2	1.69	1.90
	2 1/2	2.06	3.30
	3	2.19	4.70

TEE	Size	A	Weight
	<i>in</i>	<i>in</i>	<i>lbs</i>
	1/4	1.31	0.27
	3/8	1.06	0.42
	1/2	1.25	0.65
	3/4	1.44	1.10
	1	1.63	1.60
	1 1/4	1.94	2.50
	1 1/2	2.13	3.40
	2	2.50	5.20
	2 1/2	2.94	8.00
	3	3.38	13.00
	4	4.50	24.00


SPF MALLEABLE IRON FITTINGS

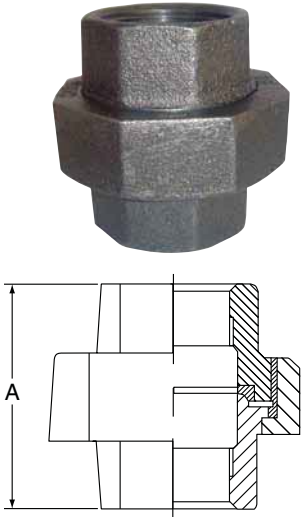
Class 300 (Extra Heavy)

REDUCING TEE	Size			A	B	C	Weight
	in			in	in	in	lbs
 	3/4	3/4	1/2	1.31	1.31	1.38	0.90
	1	1	1/2	1.44	1.44	1.50	1.30
			3/4	1.50	1.50	1.56	1.30
	1 1/4	1 1/4	1/2	1.50	1.50	1.69	1.70
			3/4	1.63	1.63	1.75	1.90
			1	1.75	1.75	1.81	2.10
	1 1/2	1 1/2	1/2	1.63	1.63	1.81	2.30
			3/4	1.69	1.69	1.88	2.50
			1	1.81	1.81	2.00	2.60
			1 1/4	2.00	2.00	2.06	3.00
	2	2	1/2	1.75	1.75	2.06	3.40
			3/4	1.81	1.81	2.13	3.60
			1	2.00	2.00	2.25	4.00
			1 1/4	2.13	2.13	2.31	4.20
			1 1/2	2.25	2.25	2.38	4.60
2 1/2	2 1/2	2	2.69	2.69	2.75	7.60	
3	3	2	2.81	2.81	3.13	9.60	

COUPLING	Size	A	Weight
	in	in	lbs
 	1/4	1.38	0.17
	3/8	1.63	0.26
	1/2	1.88	0.42
	3/4	2.13	0.65
	1	2.38	0.99
	1 1/4	2.88	1.60
	1 1/2	2.88	2.00
	2	3.63	3.20
	2 1/2	4.13	5.50
	3	4.13	7.30

Class 300 (Extra Heavy)

REDUCING COUPLINGS	Size	A	Weight
	<i>in</i>	<i>in</i>	<i>lbs</i>
	$\frac{3}{8} \times \frac{1}{4}$	1.44	0.21
	$\frac{1}{2} \times \frac{1}{4}$	1.69	0.31
	$\frac{1}{2} \times \frac{3}{8}$	1.69	0.34
	$\frac{3}{4} \times \frac{3}{8}$	1.75	0.47
	$\frac{3}{4} \times \frac{1}{2}$	1.75	0.50
	$1 \times \frac{1}{2}$	2.00	0.71
	$1 \times \frac{3}{4}$	2.00	0.79
	$1 \frac{1}{4} \times \frac{1}{2}$	2.38	1.10
	$1 \frac{1}{4} \times \frac{3}{4}$	2.38	1.20
	$1 \frac{1}{4} \times 1$	2.38	1.30
	$1 \frac{1}{2} \times \frac{1}{2}$	2.69	1.50
	$1 \frac{1}{2} \times \frac{3}{4}$	2.69	1.60
	$1 \frac{1}{2} \times 1$	2.69	1.60
	$1 \frac{1}{2} \times 1 \frac{1}{4}$	2.69	1.80
	$2 \times \frac{1}{2}$	3.19	2.40
	$2 \times \frac{3}{4}$	3.19	2.40
	2×1	3.19	2.50
	$2 \times 1 \frac{1}{4}$	3.19	2.70
	$2 \times 1 \frac{1}{2}$	3.19	2.70
	$2 \frac{1}{2} \times 1 \frac{1}{2}$	3.69	4.10
$2 \frac{1}{2} \times 2$	3.69	4.30	
3×2	4.06	5.80	
$3 \times 2 \frac{1}{2}$	4.06	6.50	
4×3	4.38	10.00	

UNIONS (BRASS SEAT)	Size	A	Weight
	<i>in</i>	<i>in</i>	<i>lbs</i>
	$\frac{1}{8}$	1.31	0.14
	$\frac{1}{4}$	1.81	0.47
	$\frac{3}{8}$	1.81	0.43
	$\frac{1}{2}$	2.06	0.53
	$\frac{3}{4}$	2.25	0.80
	1	2.56	1.30
	$1 \frac{1}{4}$	2.75	1.60
	$1 \frac{1}{2}$	3.00	2.10
	2	3.38	3.50
	$2 \frac{1}{2}$	3.88	5.00
	3	4.25	7.70
	4	4.88	18.00



CORPORATE OFFICES

2 Holland Way
Exeter, NH 03833
Tel: 603-422-8000 • Fax: 603-422-8033
E-mail: sales@anvilintl.com

CUSTOMER SERVICE CENTERS

UNITED STATES

University Park, IL
Tel: 708-885-3000 • Fax: 708-534-5441
Toll Free: 1-800-301-2701

Irving, TX
Tel: 972-871-1206 • Fax: 972-641-8946
Toll Free: 1-800-451-4414

CANADA

Simcoe, Ontario
Tel: 519-426-4551 • Fax: 519-426-5509

EUROPE AND MIDDLE EAST

Tel: +31-53-5725570 • Fax: +31-53-5725579
International Customer Service
Tel: +1-708-885-3000 • Fax: +1-708-534-5441

MEXICO, PUERTO RICO AND LATIN AMERICA

International Customer Service
Tel: +1-708-885-3000 • Fax: +1-708-534-5441

U.S. REGIONAL DISTRIBUTION CENTERS

UNIVERSITY PARK

750 Central Avenue
University Park, IL 60484

IRVING

1401 Valley View Lane, Suite 150
Irving, TX 75061

COLUMBIA

800 Malleable Road
Columbia, PA 17512

ONTARIO

1470 S. Vintage Avenue
Ontario, CA 91761

ANVIL EPS

Engineered Pipe Supports
Customer Service Center

160 Frenchtown Road
North Kingstown, RI 02852

Tel: 401-886-3000
Fax: 401-886-3010
Toll Free: 1-877-406-3108

additional INVENTORY LOCATIONS*

UNITED STATES: Arizona, Colorado, Georgia, Indiana, Massachusetts, Minnesota, Missouri, New York, Tennessee, Texas, Washington and Wisconsin

INTERNATIONAL: Ontario, Canada and Waalwijk, Netherlands

*Inventory varies at locations

BUILDING CONNECTIONS THAT LAST

